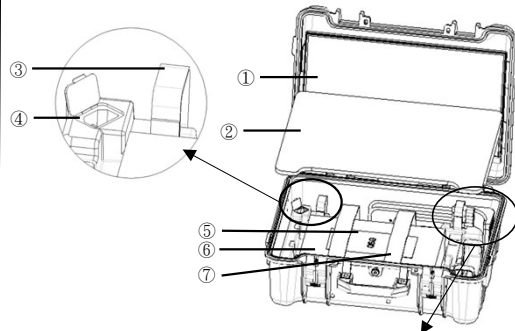


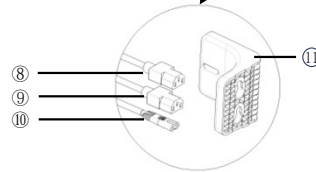
ARMORR

GamersBox Quick Start Guide

1. GamersBox contents:

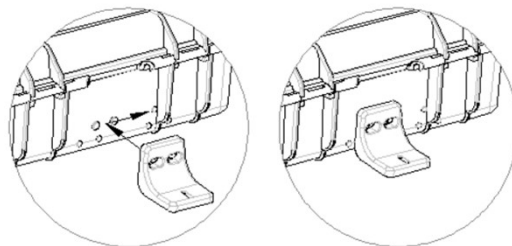


- ① Screen
- ② Screen protector
- ③ Velcro strap
- ④ AC inlet
- ⑤ Quick Start Guide
- ⑥ Accessory Box
- ⑦ Game console Velcro strap
- ⑧ Power cord to screen (short cable, 50cm)
- ⑨ Power cord to game console (long cable, 90cm)
- ⑩ Power cord to game console
- ⑪ Stability Enhancement Stand

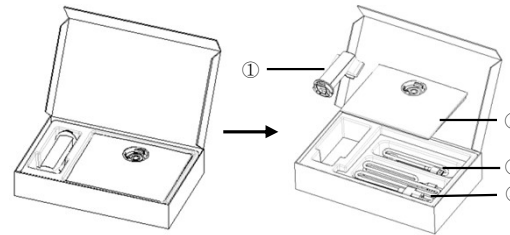


2. Stability Enhancement Stand:

Must be attached to prevent tipping of the GamersBox when console is not secured inside

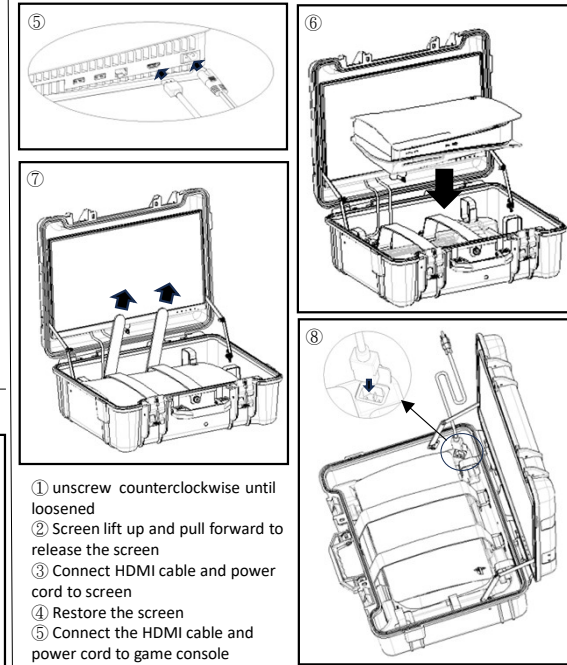
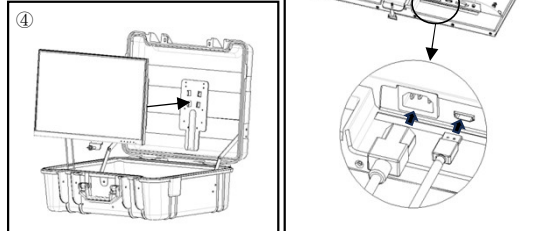
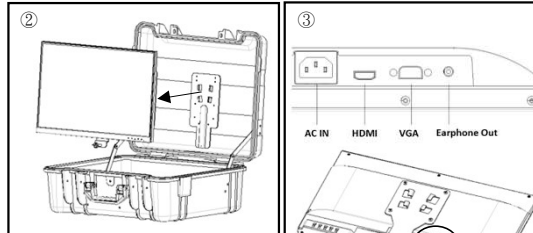
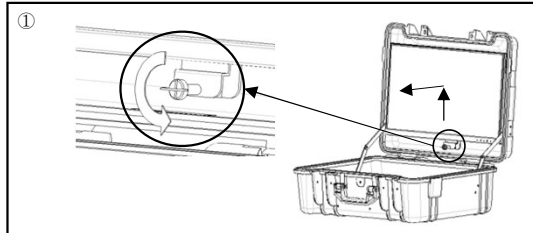


3. Accessory Box contents :



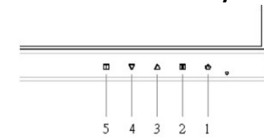
- ① Monitor stand hinge
- ② Monitor stand base
- ③ HDMI cable (Screen to game console)
- ④ Power cord (Gamers Box to AC inlet)

4. Installation process :



- ① unscrew counterclockwise until loosened
- ② Screen lift up and pull forward to release the screen
- ③ Connect HDMI cable and power cord to screen
- ④ Restore the screen
- ⑤ Connect the HDMI cable and power cord to game console
- ⑥ Game console install to GamersBox
- ⑦ Tighten the game console strap
- ⑧ Connector power cord to GamersBox and AC outlet

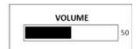
5. Monitor Function Key:



- ⏻ 1. Power On / Off
- ⏪ 2. Input select / Enter
- ⬆ 3. Up
- ⬇ 4. Down
- ⏹ 5. Menu / Exit

Volume adjust:

press "⬆" key for VOLUME icon
 press "⬆" to increase volume
 press "⬇" to decrease volume



Brightness adjust:

press "⬇" key for BRIGHTNESS icon
 press "⬆" to increase brightness
 press "⬇" to decrease brightness

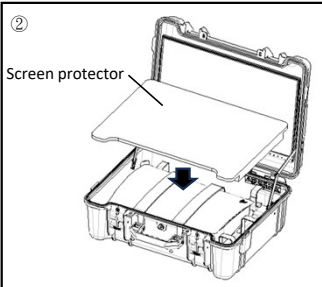
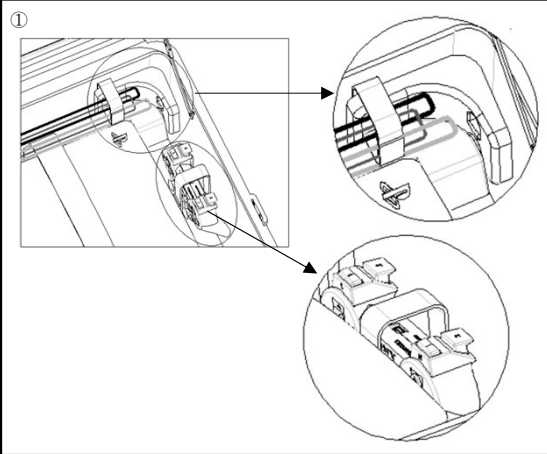


Note: No audio when input is VGA



WARNING
 Follow all operating procedure on this sheet
 Failure to do so may result in voiding your warranty.

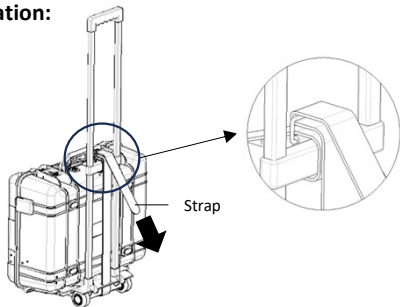
6. Storage and protect:



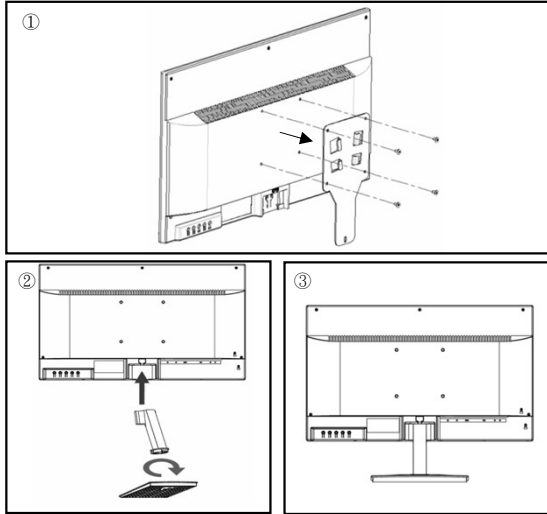
① Ensure Stability Enhancement Stand and controller are properly strapped into the storage location before transportation.

② Before closing the GamersBox, be sure to cover it with the screen protector.

7. Detachable trolley with strap for effortless transportation:



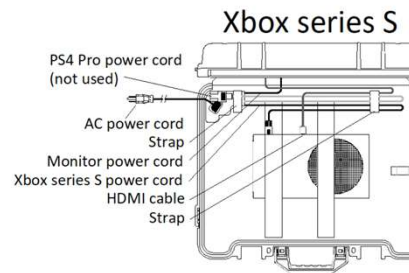
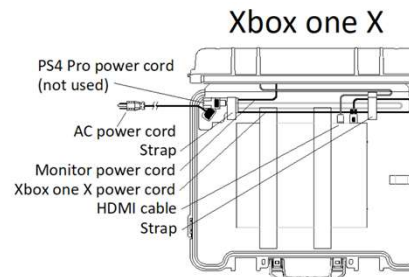
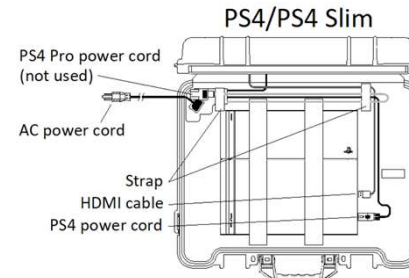
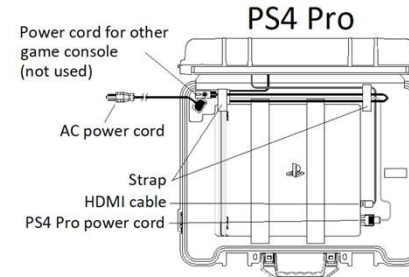
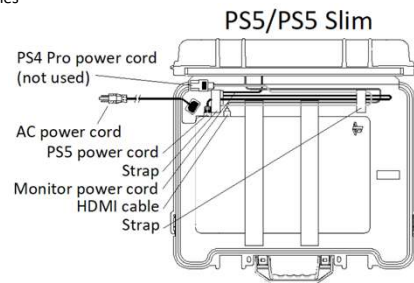
Notes 1: Converting to a desktop monitor



- ① Please refer to Installation process 4-② for how to release the screen from GamersBox. Lay a towel on a flat surface, carefully place the screen facedown on a towel, unscrew to release the mounting plate.
- ② Attach to monitor stand
- ③ Monitor is ready to use

Notes 2: Cable management:

Recommended cable management methods for different game consoles



ARMORR
www.armorrtech.com

CONTACT AND SUPPORT
You can contact us:
<https://armorrtech.com/contact/>



Patent Pending Number 29/910,368

FC Modifying the equipment without ARMORR's authorization may result in the equipment no longer complying with FCC requirements for Class B digital devices. In that event, your right to use the equipment may be limited by FCC regulations, and you may be required to correct any interference to radio or television communications at your own expense.

This equipment has been tested and found to comply with the limits for a Class B digital device, pursuant to Part 15 of the FCC Rules. These limits are designed to provide reasonable protection against harmful interference in a residential installation. This equipment generates, uses and can radiate radio frequency energy and, if not installed and used in accordance with the instructions, may cause harmful interference to radio communications. However, there is no guarantee that interference will not occur in a particular installation. If this equipment does cause harmful interference to radio or television reception, which can be determined by turning the equipment off and on, the user is encouraged to try to correct the interference by one or more of the following measures:

- Reorient or relocate the receiving antenna.
- Increase the separation between the equipment and receiver.
- Connect the equipment into an outlet on a circuit different from that to which the receiver is connected.
- Consult the dealer or an experienced radio/TV technician for help.

NOTICE FOR INDUSTRY CANADA
This Class B digital apparatus complies with Canadian ICES-003.