

ARMORR™ ORION

REGULATORY COMPLIANCE NOTICE FOR FCC

Modifying the equipment without Armorr's authorization may result in the equipment no longer complying with FCC requirements for Class B digital devices. In that event, your right to use the equipment may be limited by FCC regulations, and you may be required to correct any interference to radio or television communications at your own expense.

This equipment has been tested and found to comply with the limits for a Class B digital device, pursuant to Part 15 of the FCC Rules. These limits are designed to provide reasonable protection against harmful interference in a residential installation. This equipment generates, uses and can radiate radio frequency energy and, if not installed and used in accordance with the instructions, may cause harmful interference to radio communications. However, there is no guarantee that interference will not occur in a particular installation. If this equipment does cause harmful interference to radio or television reception, which can be determined by turning the equipment off and on, the user is encouraged to try to correct the interference by one or more of the following measures:

- Reorient or relocate the receiving antenna.
- Increase the separation between the equipment and receiver.
- Connect the equipment into an outlet on a circuit different from that to which the receiver is connected.
- Consult the dealer or an experienced radio/TV technician for help.

NOTICE FOR INDUSTRY CANADA

This Class B digital apparatus complies with Canadian ICES-003.
Cet appareil numérique de la classe B est

conforme à la norme NMB-003 du Canada.



EU DECLARATION OF CONFORMITY

Armorr declares the product described within this user guide or manual is in compliance with below applicable directives.

- * EMC Directive 2014/30/EU
- * LVD Electrical Equipment (Safety) Regulation 2016 EMC Electromagnetic Compatibility Regulations 2016 (S.I. 2016/1091)
- * RoHS2 Directive 2011/65/EU & (EU) 2015/863
- * WEEE Directive 2012/19/EU
- * REACH Directive (EC) No.1907/2006

WEEE INFORMATION

User information for consumer products covered by EU Directive 2012/19/EU on Waste Electric and Electronic Equipment (WEEE). This document contains important information for users with regards to the proper disposal and recycling of Armorr products. Consumers are required to comply with this notice for all electronic products bearing the following symbol:

FOR CONSUMERS IN THE EUROPEAN UNION:

This EU Directive requires that the product bearing this symbol and or its packaging must not be disposed of with unsorted municipal waste. The symbol indicates that this product should be disposed of separately from regular household waste streams. It is your responsibility to dispose of this and other electrical and electronics products via

designated collection facilities appointed by the government or local authorities. Correct disposal and recycling will help prevent potential negative consequences to the environment and human health. For more detailed information about the disposal of your unwanted product, please contact your local authorities, waste disposal service, or the shop where you purchased the product.

SAFETY NOTICE

WARNING: Do not use this product near water, for example, in a wet basement or near swimming pool or in an area where accidental contact with water or liquid might occur.
WARNING: Avoid using this product during an electrical storm. There may be a remote risk of electric shock from the surge caused by lightning.
WARNING: The external power adapter or AC power cord is the equipment's disconnection device. The power outlet must be located nearby the equipment and its access must be easy.

This appliance is not intended for use by persons (including children) with reduced physical, sensory or mental capabilities, or lack of experience and knowledge, unless they have been given supervision or instruction concerning use of the appliance by a person responsible for their safety. Children should be supervised to ensure that they do not play with the appliance.

Xbox® is a registered trademark of Microsoft Corporation.
PlayStation® PS3 are registered trademarks of Sony Computer Entertainment Inc.
Nintendo Switch and Joy-Con are trademarks of Nintendo Co., Ltd.

Made in China



ARMORR™ ORION

CONTACT AND SUPPORT

You can contact us via mail
Mail : service@axiom-pro.com

TABLE OF CONTENTS

Contents.....	2
Features.....	3
Interface & Function Keys.....	5
Setting Up.....	6
Power Source.....	7
Powering On.....	8
Safety Instruction.....	9
Specification.....	11
Certification and Regulatory.....	12

INCLUDED IN BOX



ORION Display



ergo Handles



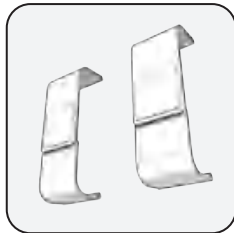
ergo handles Installation Tool



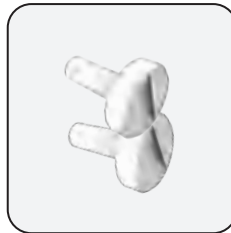
Mesh Bag



User Guide



Battery straps



Extra screws for ergo Handle

SPECIFICATIONS

- Dimensions 15.8"Wx1.6"Dx7.08"H
- Monitor 11.6" IPS Anti-Glare
- Connectivity: USB Type C / HDMI
- Audio: Speaker 2.5W*2
- Adaptor Input Voltage: Type C Power delivery: 5V/15V
Nintendo Switch power adapter (not included)
- Compatibility: Nintendo Switch / HDMI Devices
- Headphone Output: 3.5mm stereo headphone jack
- DC Rating: 5V $\overline{=}$ 1.5A or 15V $\overline{=}$ 2.6A
- Output: 5Vdc/ 0.5A or 15Vdc/ 1.2A

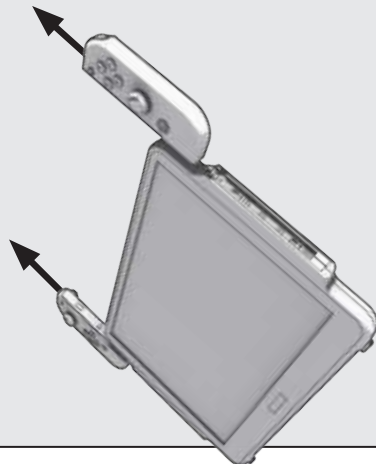
SAFETY INSTRUCTIONS AND WARNINGS

Tabletop mode – ensure to set on a Flat Dry stable surface.



Only place the ORION display down on its rear surface (screen facing up).

Remove Joy-Con controller when inserting or removing Nintendo Switch console.



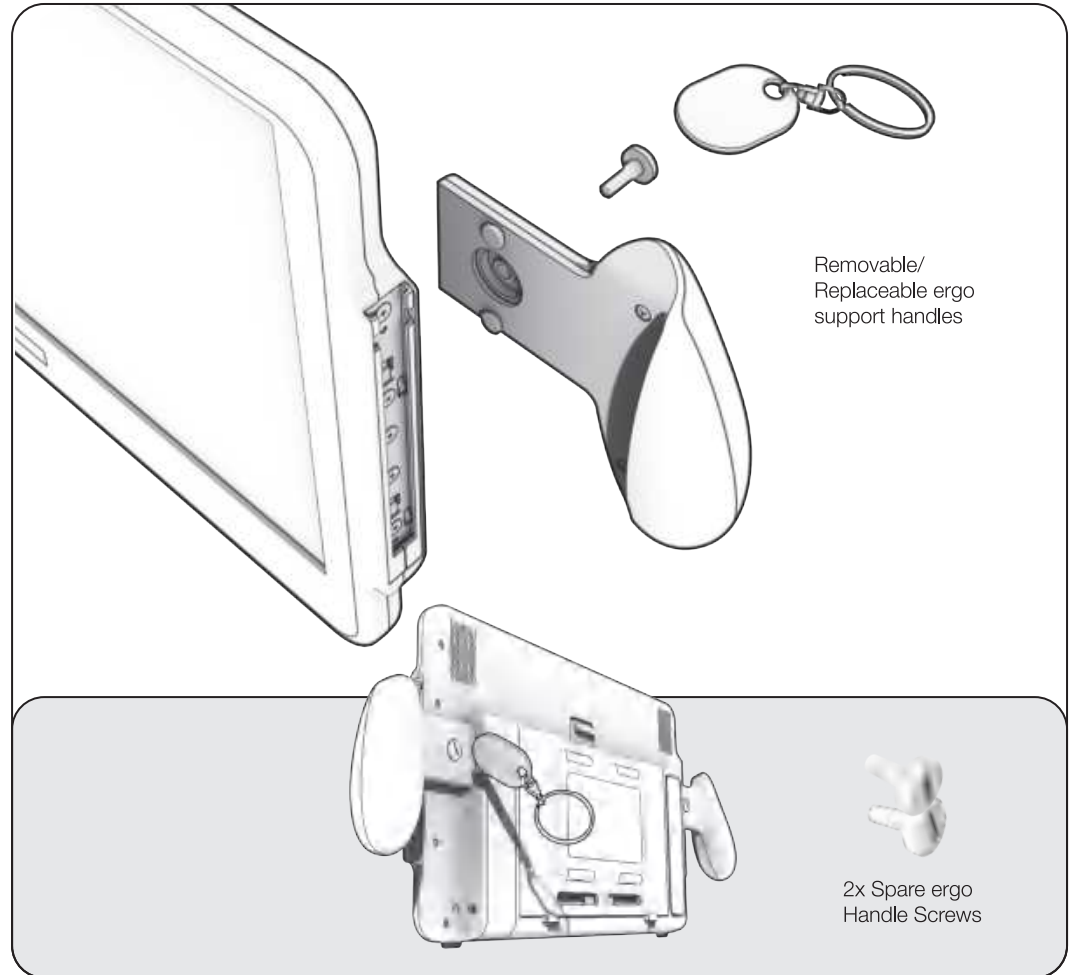
FEATURES



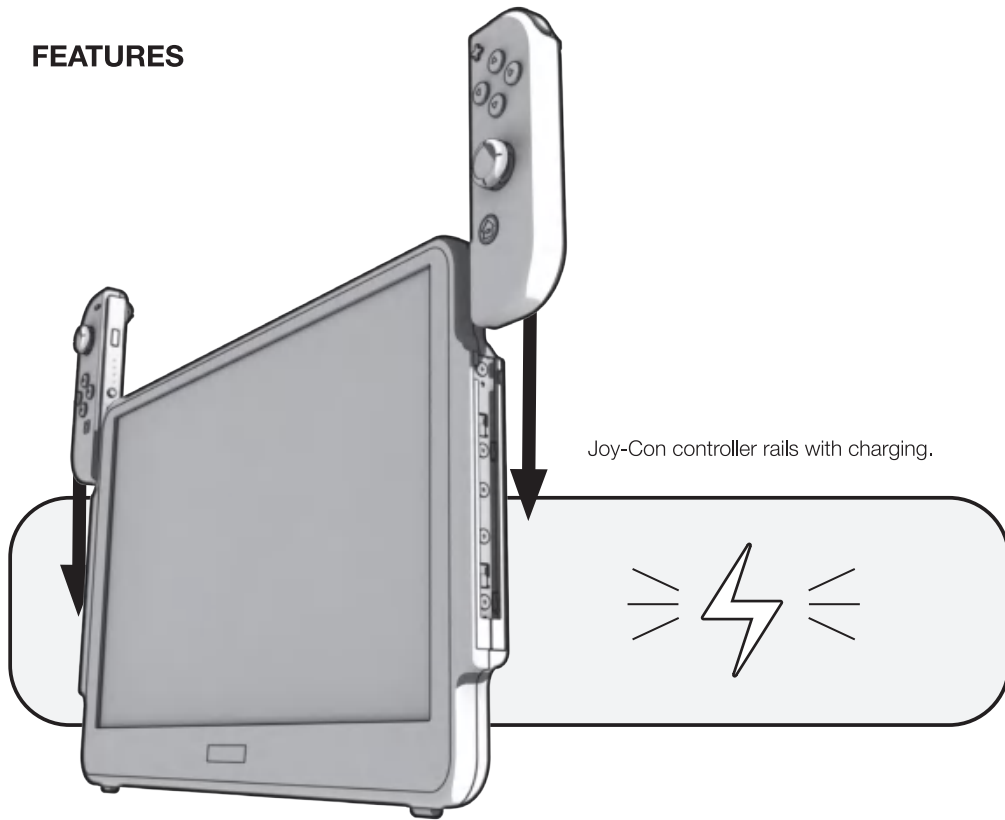
11.6" IPS panel – HD – UpScaled to FHD (Over Drive and DCR)



Ventilation openings



FEATURES



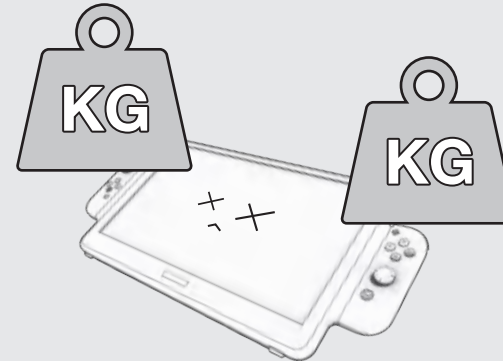
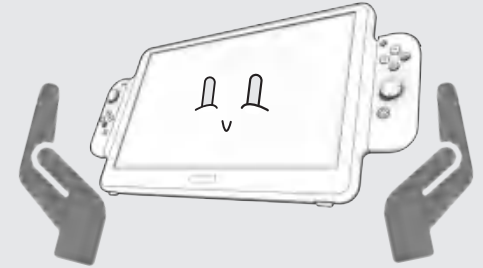
Built-in kick stand – Table top mode.



Nintendo Switch console dock compartment.

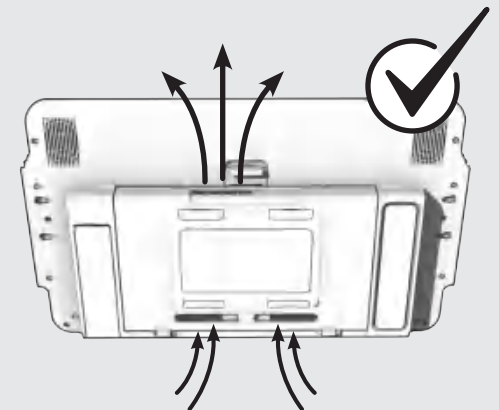
SAFETY INSTRUCTIONS AND WARNINGS

Lift up and set down the ORION display with both hands.

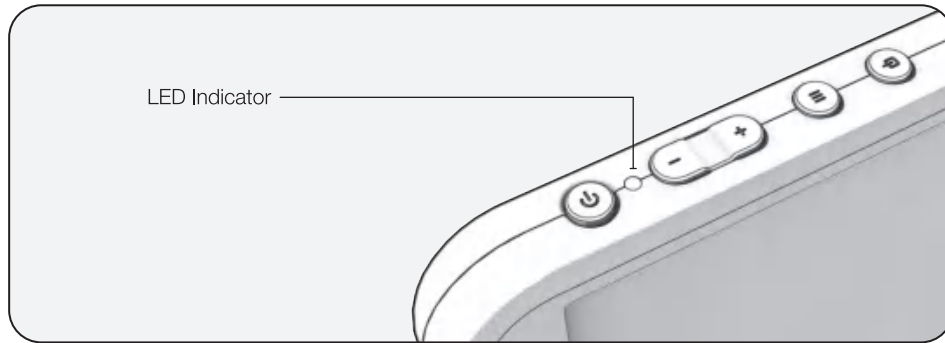


Do not place excessive force on the Joy-Con controller charging rail.

Do not block the rear vent holes while Nintendo Switch is docked inside ORION display.



POWERING ON YOUR ORION DISPLAY



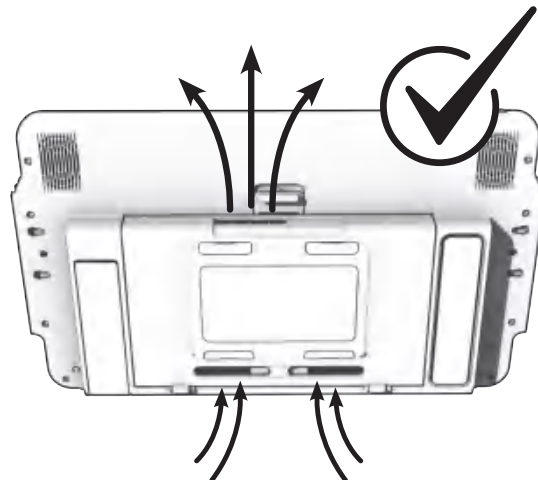
- Solid Blue – Orion and Nintendo Switch are power on.
- ⦿ Flashing Blue – Sleep/Standby.
- ⦿ Flashing Amber - Nintendo Switch is turned on but no USB-C power input.

Step 1 – Ensure your Nintendo Switch console is powered on and has some battery power before Docking into ORION.

Step 2 – Next, (Refer to Portable Power Source section and that your battery is fully charged). Press the Power on/Standby button and the ORION will turn on and your Switch screen is now mirrored on ORION.

Step 3 – Any additional set up required by your Nintendo Switch will be illustrated from the Switch interface.

Now you're ready to go!



WARNING:

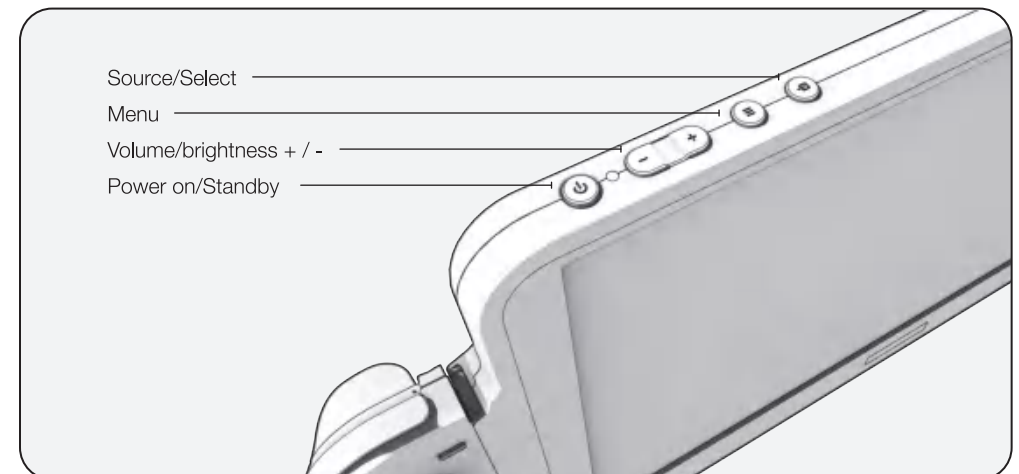
Note: Always ensure that you do not obstruct your game console's ventilation and ports, as damage may occur. Caution: If there's any indication that proper game console ventilation is being affected, please discontinue use and call customer service.

INTERFACE

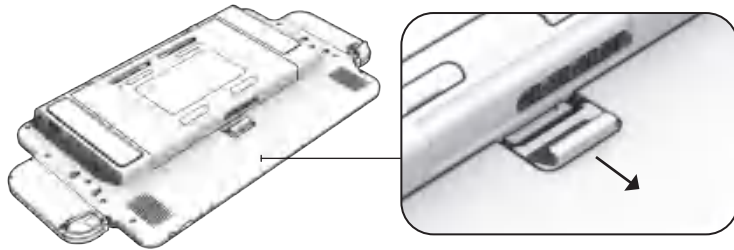


HDMI IN Compatibility - ORION Includes an HDMI In Port to allow users to play other gaming platforms such as a tethered cell phone or device that offer streaming game libraries you may be subscribed to. As well, ORION can be used with your XBOX or PlayStation as a portable monitor. Your XBOX or PlayStation's USB Port will power ORION's screen and no added power adapter is required when using your console to power ORION. (Compatible Cables Not Included)

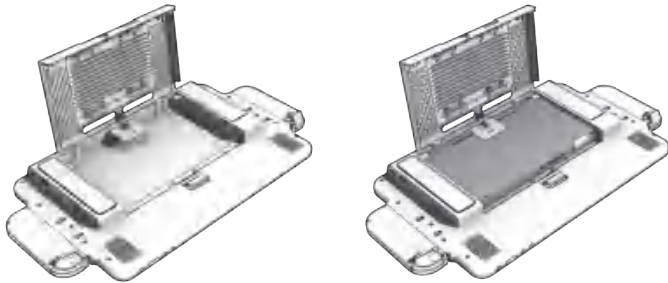
FUNCTION KEYS



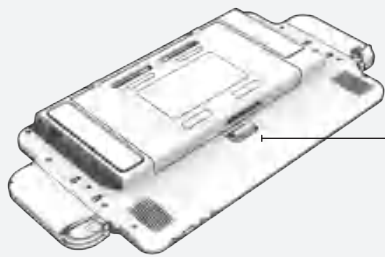
SETTING UP



Lay ORION display flat on a clean dry soft surface – Screen facing down.
Open with Release latch.



- * Align USB-C port with your Nintendo Switch console faced down towards the console dock.
- * Push Nintendo Switch console firmly into place
- * Ensure that nothing will interfere with the cover and your Nintendo Switch is fully mounted on the USB-C male jack
- * Ensure rear console door is properly latched closed prior to console usage.
Failure to do so may result in damage to your ORION display
- * Ensure the release tab is exposed



Lock down the cover and ensure latch lock is fully engaged.

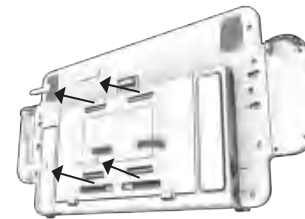
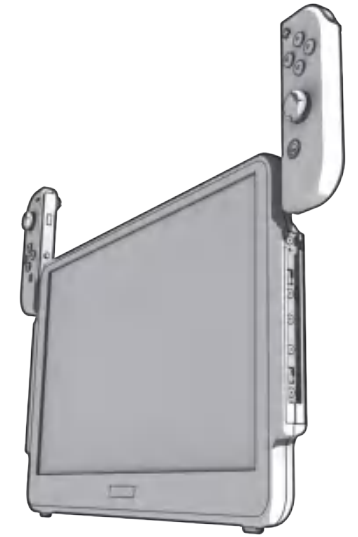
WARNING:

We recommend that user does not lift ORION display with one Joy-Con controller only.

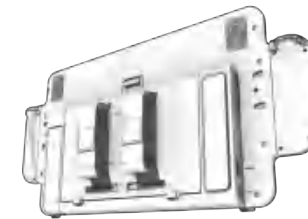
POWER SOURCE

Power source provide power to ORION display as well as charge your Nintendo Switch and Joy-Con controllers.

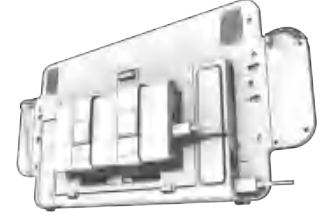
Attach your Joy-Con controller to the sides of the ORION screen to charge.



Remove strap caps.



Insert straps.



Attach USB battery source.



Portable Power - Recommends using battery bank.



Tethered Power – ORION is compatible with your Nintendo Switch Power adapter.

Note: Nintendo Switch power adapter can power ORION display when using other HDMI compatible device.